



The MIG-H9 Mini Event Controller is the latest compact-sized event controller launched by Magnimage, featuring a high-performance central processor with powerful video processing capabilities, an ultra-slim design, and an adjustable folding 21.5-inch HD touch screen with a maximum folding angle of 120°. It can handle signal input and output, configure layers, target scenes, and monitor preset targets in real-time, easily achieving seamless transitions between various display scenarios.

With the MIG-H9 Mini, you can store up to 300 user presets; switch between T-BAR or TAKE buttons; customize OLED labels for inputs, layers, and presets; and work in conjunction with one or multiple MIG-V12/V16/V12 Pro/V16 Pro switchers, making it the ideal video control device for large-scale press conferences, interactive performances, concerts, and various other events.

Product Features

- ✔ A 21.5-inch HD foldable capacitive touch screen with adjustable folding angles from 0°–120°;
- ✔ Supports storage of up to 300 user presets;
- ✔ Supports multiple control methods including touch, keyboard and mouse, and controller buttons;
- ✔ Real-time monitoring of inputs, outputs, and presets within the controller;
- ✔ Built-in keyboard for convenient parameter adjustment with software;
- ✔ Supports 4 groups of screens in the controller for grouped output control;
- ✔ T-Bar switching
- ✔ Two independent Gigabit network interfaces for controlling and IP monitoring (requires corresponding switcher support), another exclusive HDMI port for controller screen monitoring;
- ✔ Customizable button ambient lights with adjustable color and brightness;
- ✔ Input/preset buttons can be labeled with custom text and images;
- ✔ Supports backup between controller and controller, or PC upper computer and controller;
- ✔ Can be used with one or multiple MIG-V12/V16/V12 Pro/V16 Pro switchers

Controller Description

Touch Screen

Displays the console's operational interface, allowing for adjustments of various menu parameters and real-time monitoring of inputs and layer images.

Layer Editing Area

Cooperate with the controller menu, you can quickly add or remove corresponding layers on the main output preview; move layers to the top or bottom; full-screen quickly, layer property shortcuts, etc.

Keyboard

Built-in operational keyboard for controller parameter content editing and other operations.

Input Selection Area

With the layer editing area buttons, you can quickly change or select the input source for the corresponding layer, or switch to the corresponding AUX output signal source.

Switching Area

Switching between preview and output can be achieved through T-BAR, CUT, TAKE; quickly freeze output and black screen; lock controller buttons.

Preset Editing Area

Allows editing of presets, saving, retrieving, renaming, and other operations.



Light interface and Switch

Controller Power

Ethernet Ports 1-2

For controlling V12/V16/V12 Pro/V16 Pro or connecting to IP monitoring ports

USB 1-3

Connecting external keyboards, mice, and other devices

HDMI Input

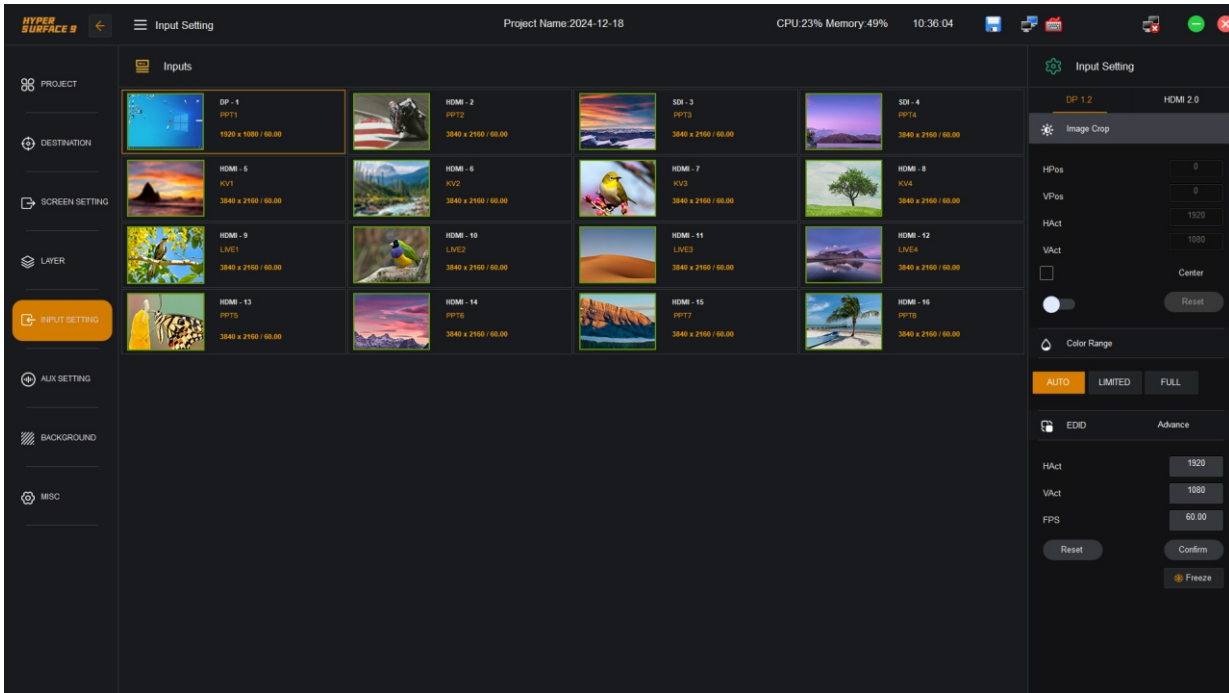
Connect with monitor output of MIG-V16/V16 Pro to realize the screen monitoring for controller



Visual Control Software & Application

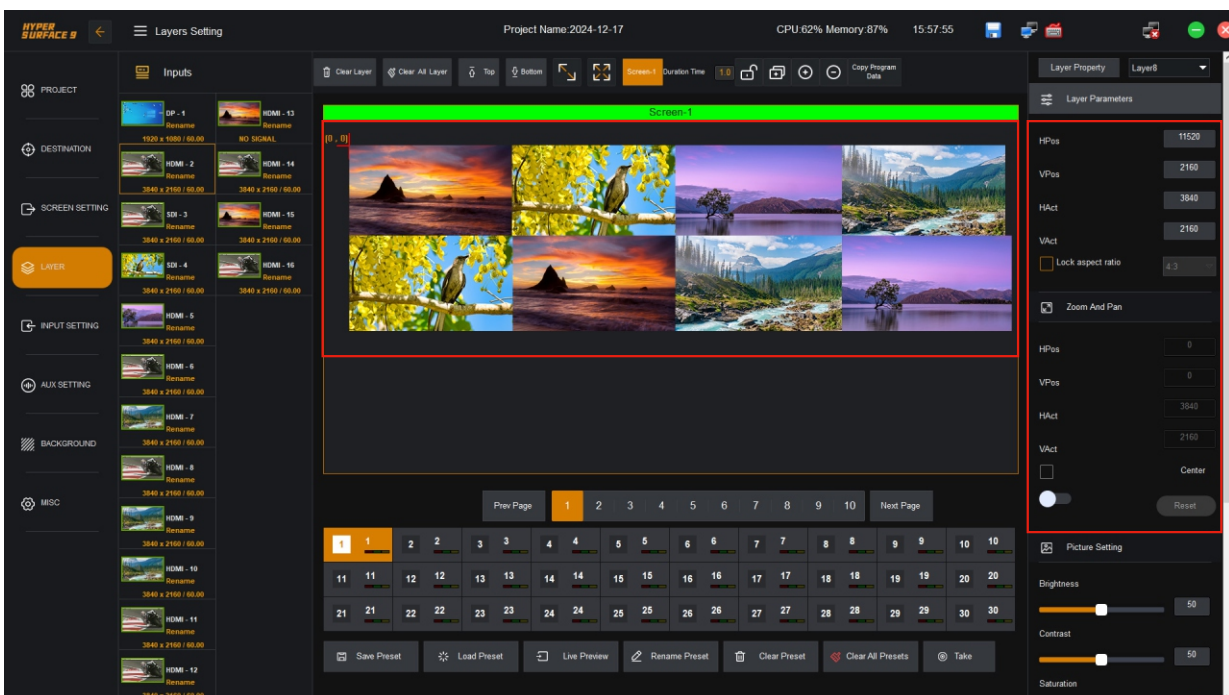
Real-time Monitoring of Input Signals

Under the layer editing and input setting menu, you can directly monitor various input signals. In the input setting menu, you can rename input signals, modify EDID information, and do image crop.



Layer Size Adjustment

In the LAYER menu interface, through actions such as clicking and dragging, in conjunction with controller buttons, you can conveniently adjust layer size, position, zoom, and other parameters.



Visual Control Software & Application

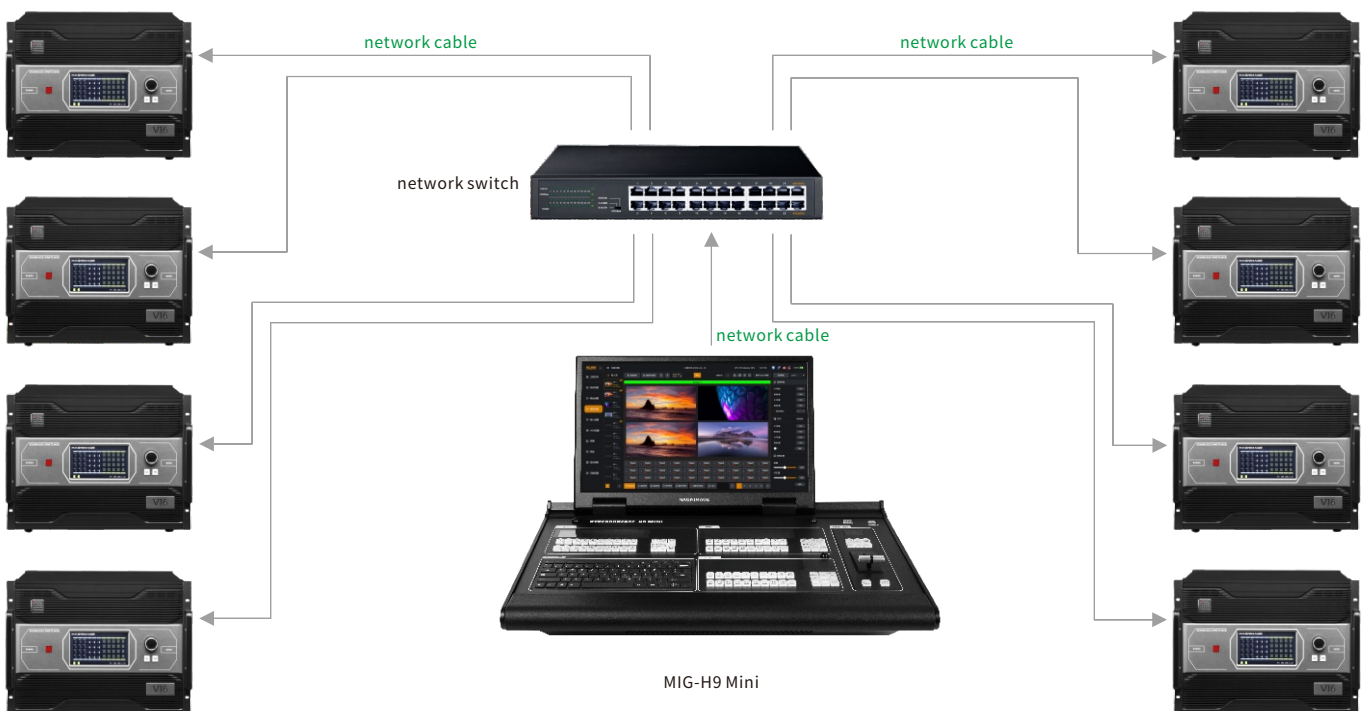
Customized Multi-preview Layout

In the auxiliary preview interface of the function setting menu, there are three basic modules: the main output, the preview of the main output, and the input signal. For the multi-window preview output of the V16/V16Pro machine, the user can set the size and position of each module, open or close, so as to realize the customized layout of the multi-window preview output interface. In addition, 5 fixed layout methods are provided for user quick selection.



Single controller Multi-control

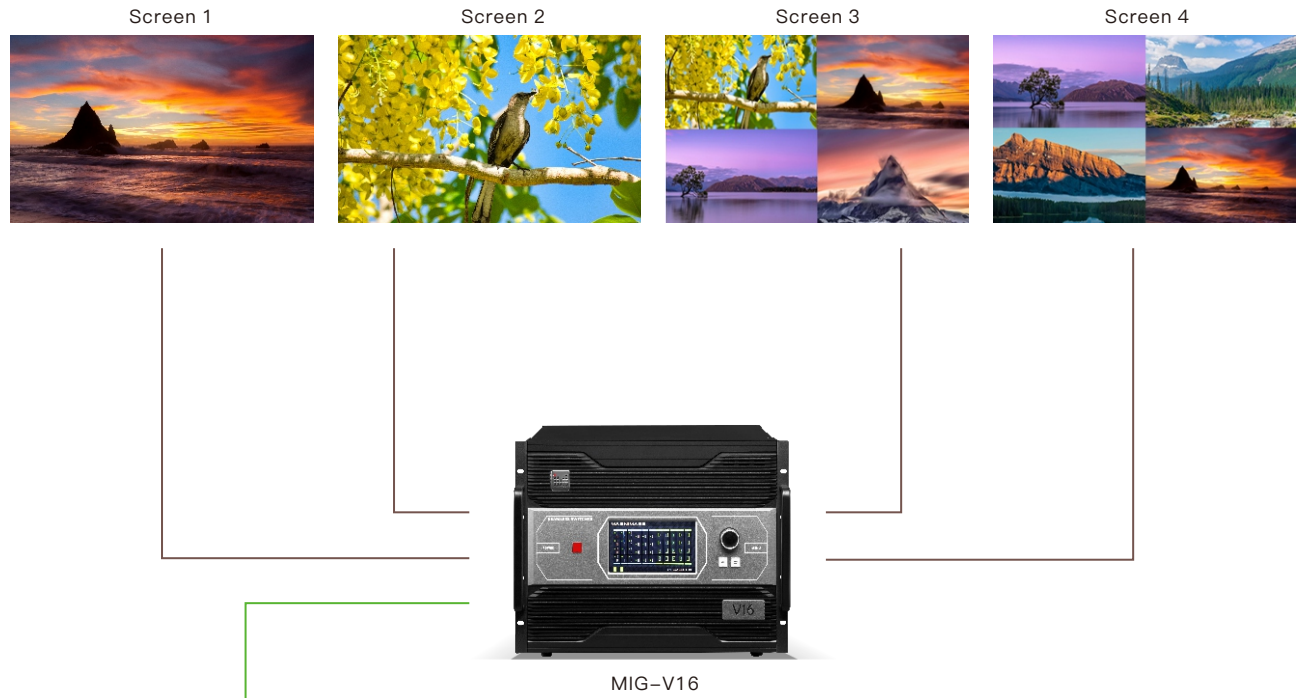
A single MIG-H9 Mini event controller can control up to 8 4K video switchers simultaneously, centralizing control over multiple units to streamline on-site processes and reduce the risk of errors.



Visual Control Software & Application

Group Control of Output Screens

The H9 Mini can control output screens in up to 4 groups, allowing users to control and switch corresponding screens individually or simultaneously based on their needs.



MIG-H9 Mini

Visual Control Software & Application

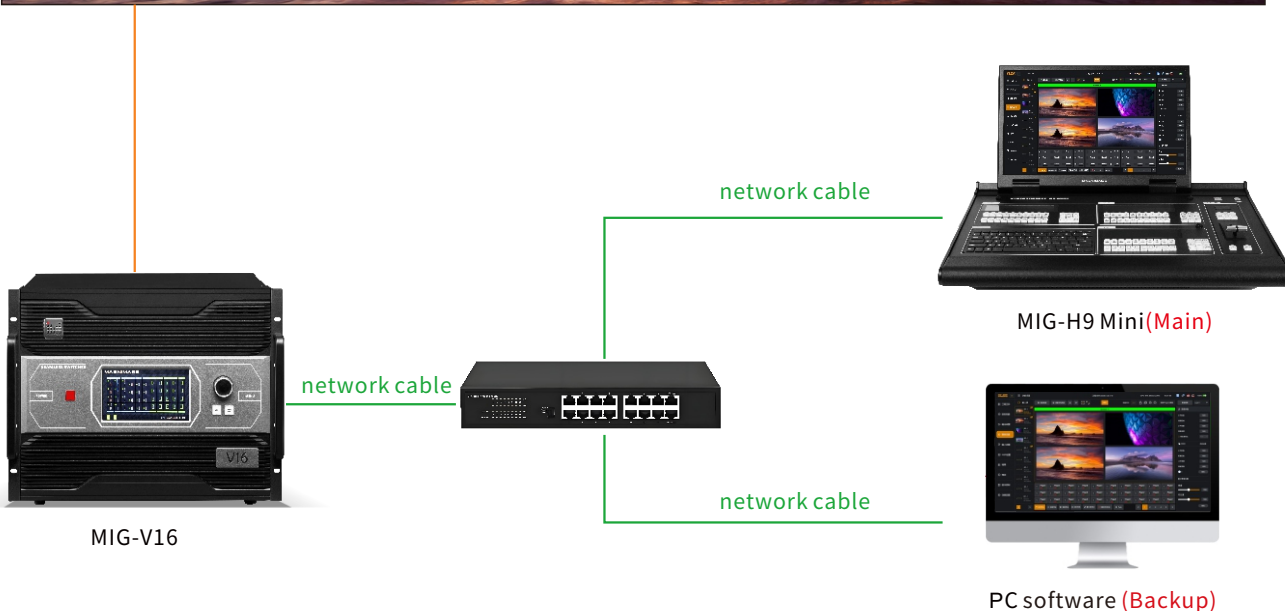
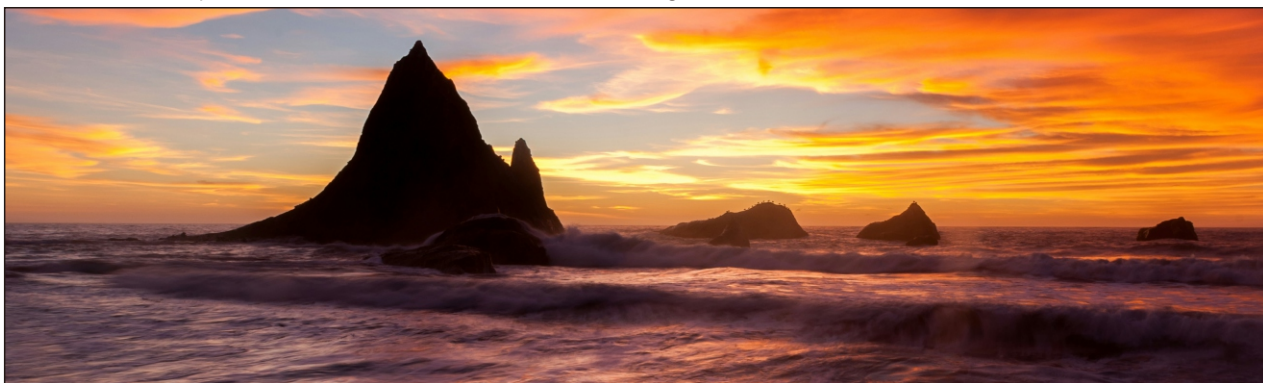
Custom OLED Label Editing

Supports adding personalized labels (images and text) to input sources and presets, facilitating operators with content numbering and enhancing the accuracy of signal switching.



Ultra-Strong Backup

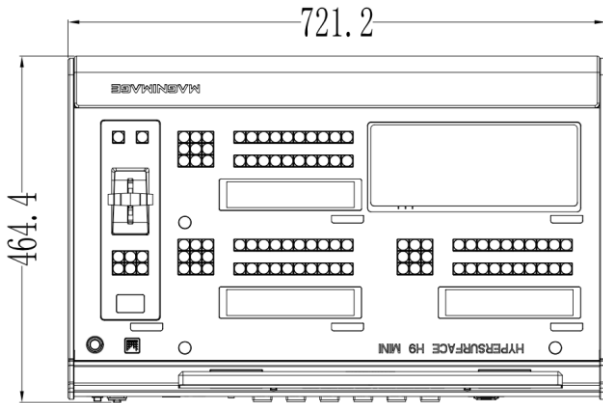
The H9 Mini controller can synchronize with a PC software in real-time for control, allowing seamless switching to the PC software operation in case of H9 Mini failure, ensuring secure control of the event.



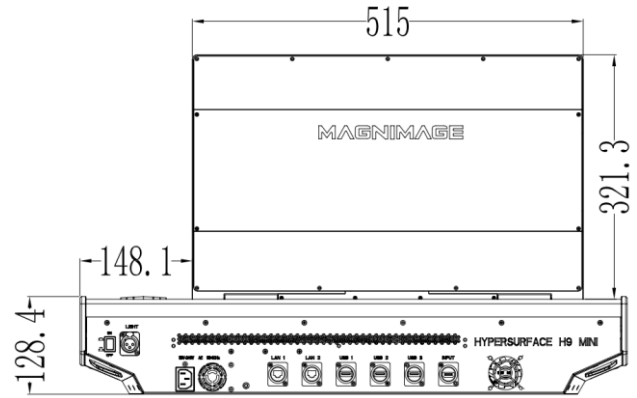
System Connection Diagram



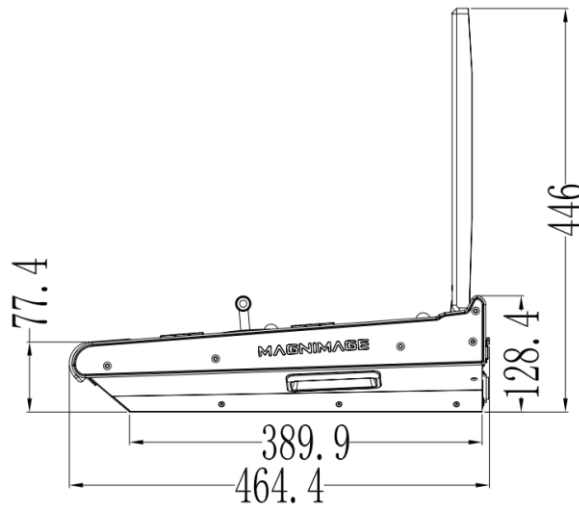
Production Dimension



Front View



Back View



Right View

Machine Specification

Input Power Voltage	100-240V
Input Power Frequency	50/60Hz
Working Temperature	0~45℃
Working Humidity	5%RH-75%RH
Power Consumption	100W
Weight	21Kg



Shenzhen Magnimage Technology Co., Ltd.

Address: 801, Bld. G2, TCL International E City, #1001
 Zhongshan Park Road, Nanshan, Shenzhen, China, 518052

Tel: 0755-8664 7651 Fax: 0755-8664 7650

Website: www.magnimage.com